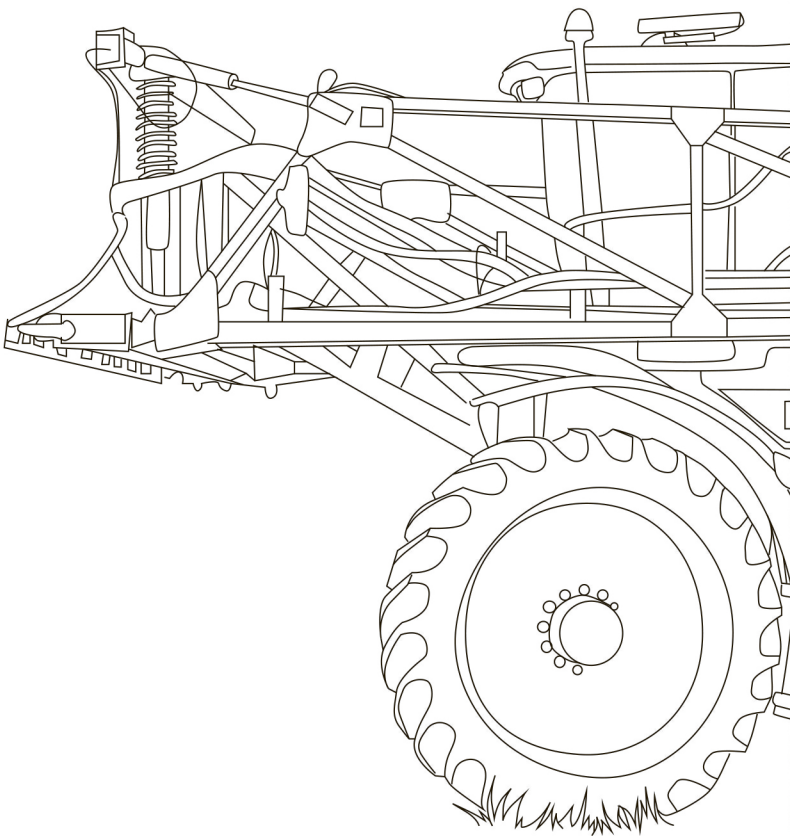
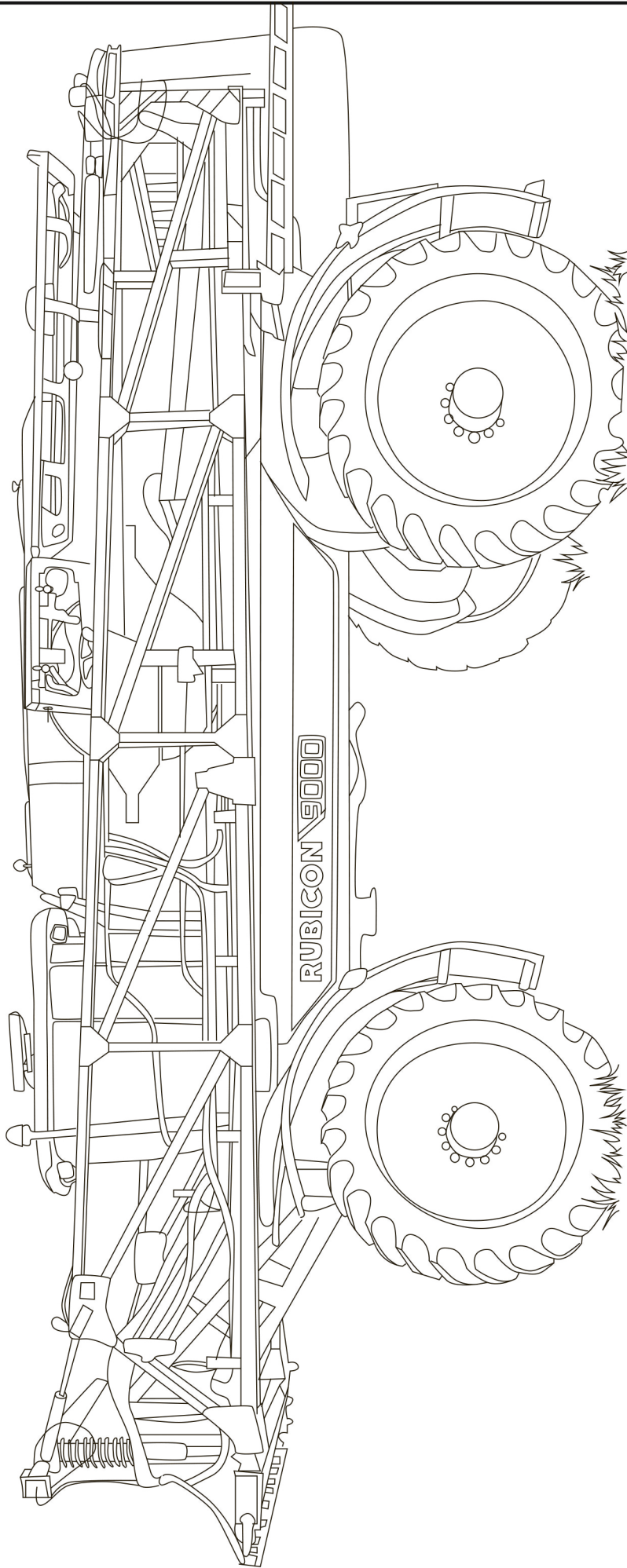


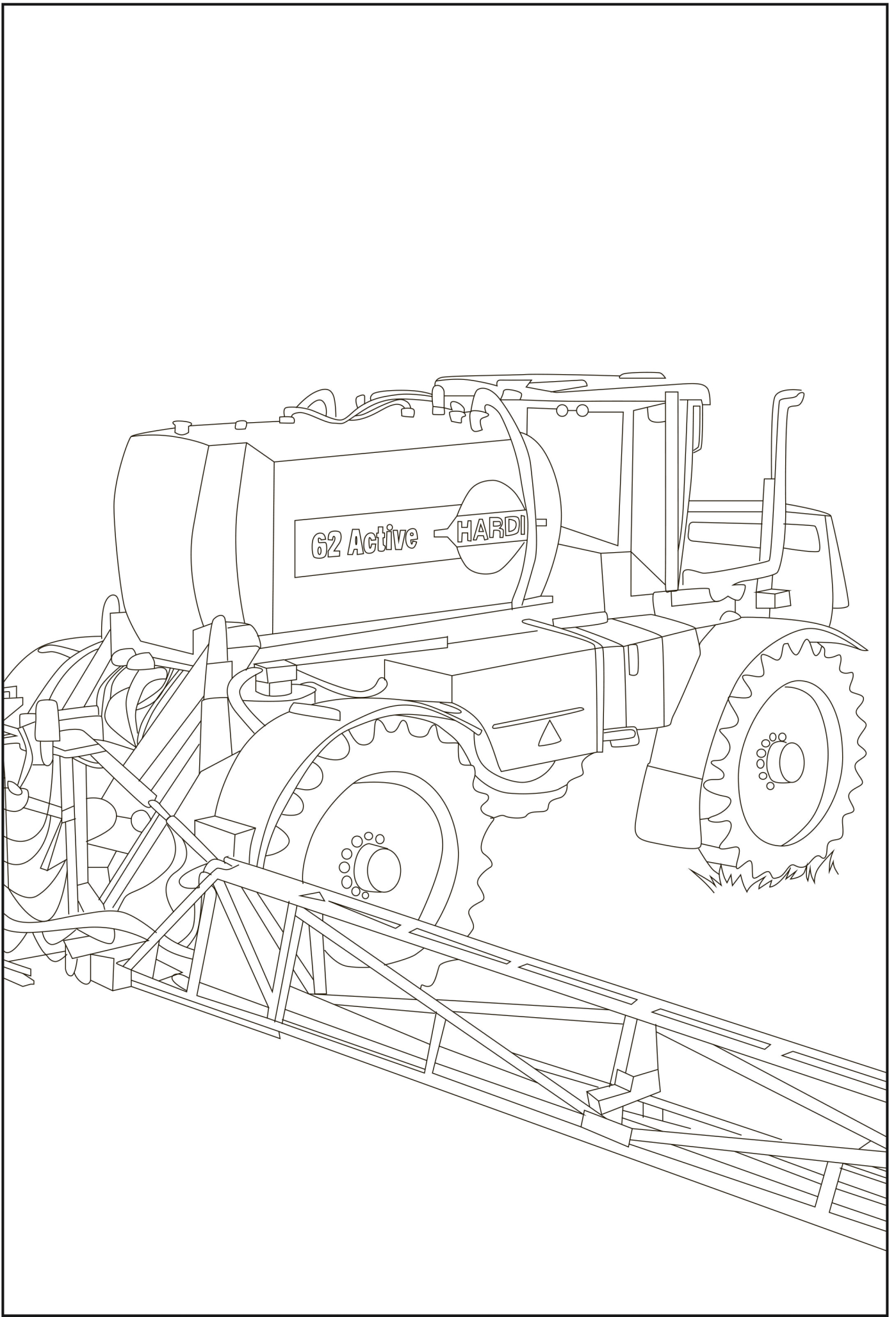
# SPRAYER COLORING BOOK



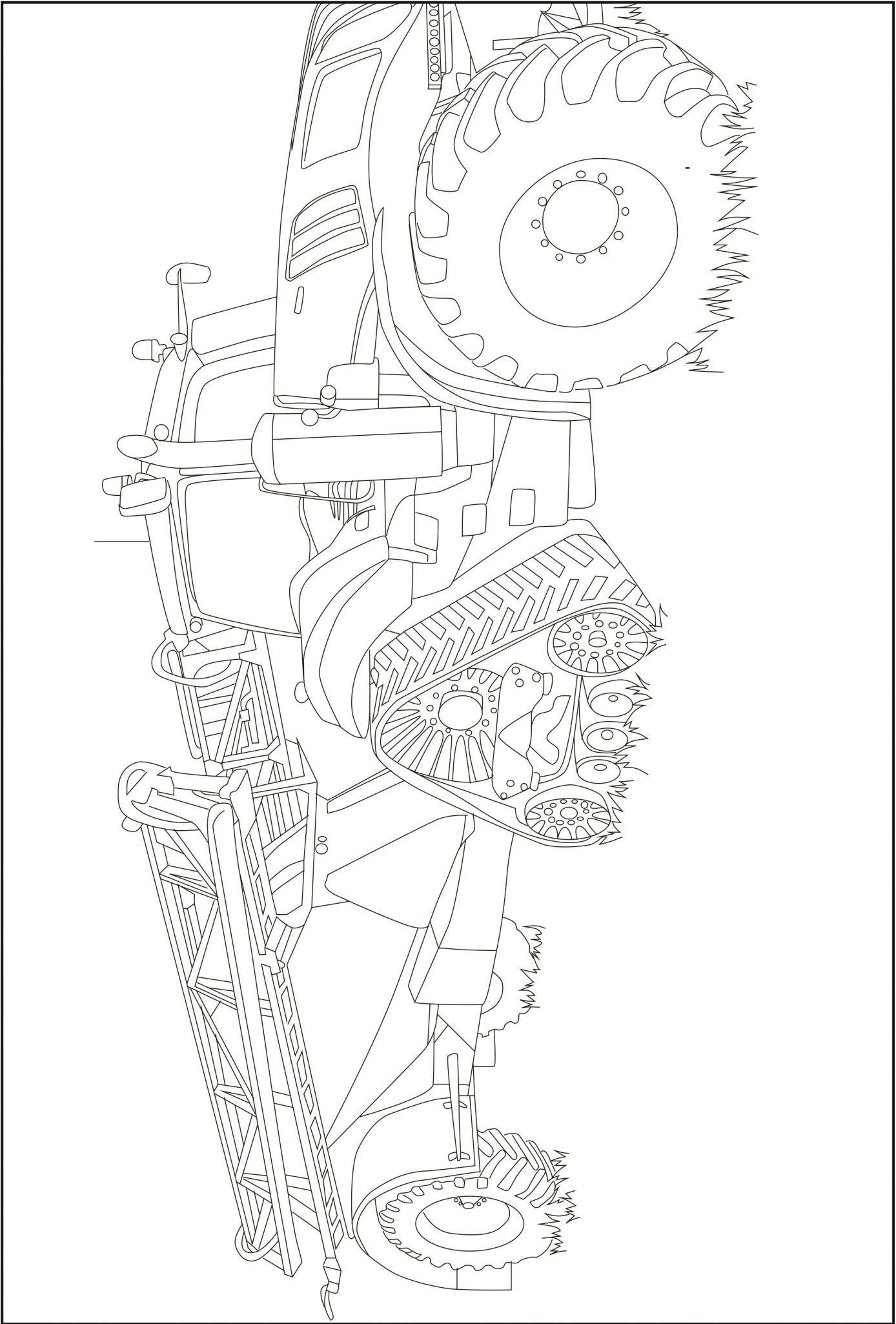




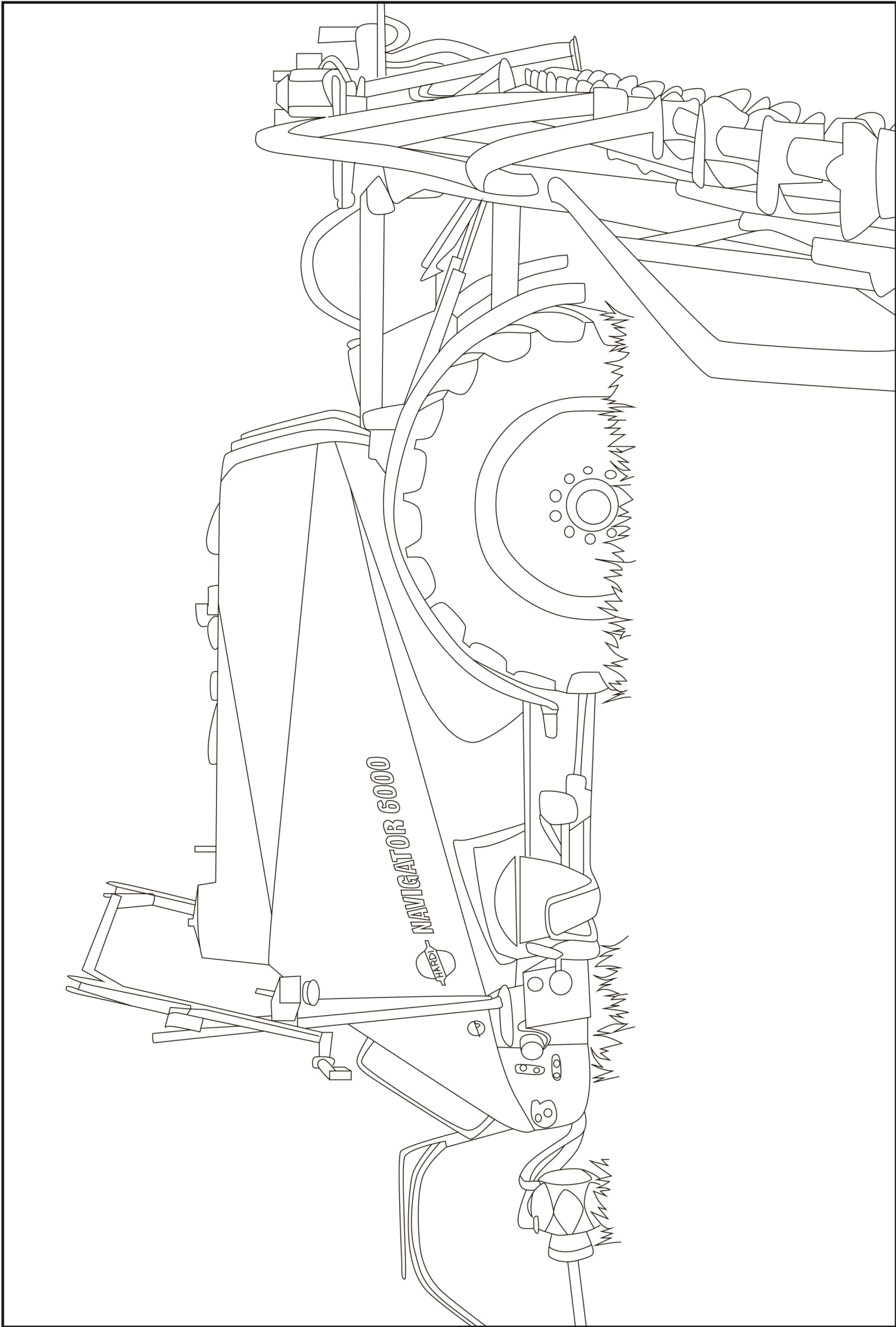




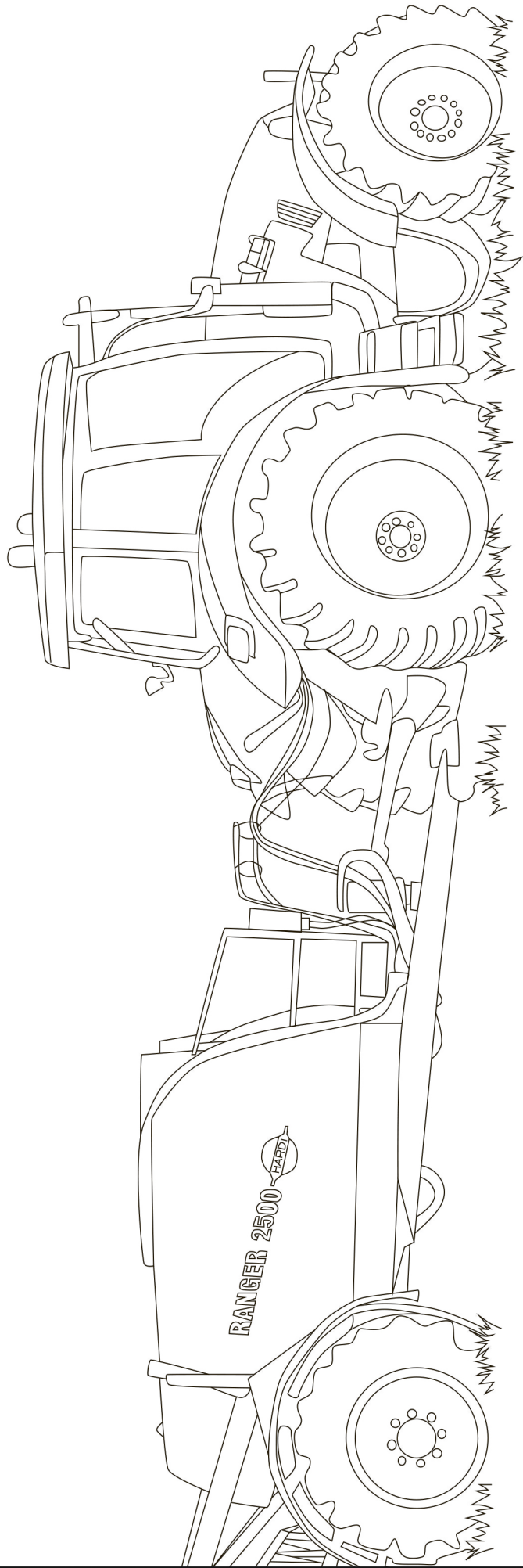




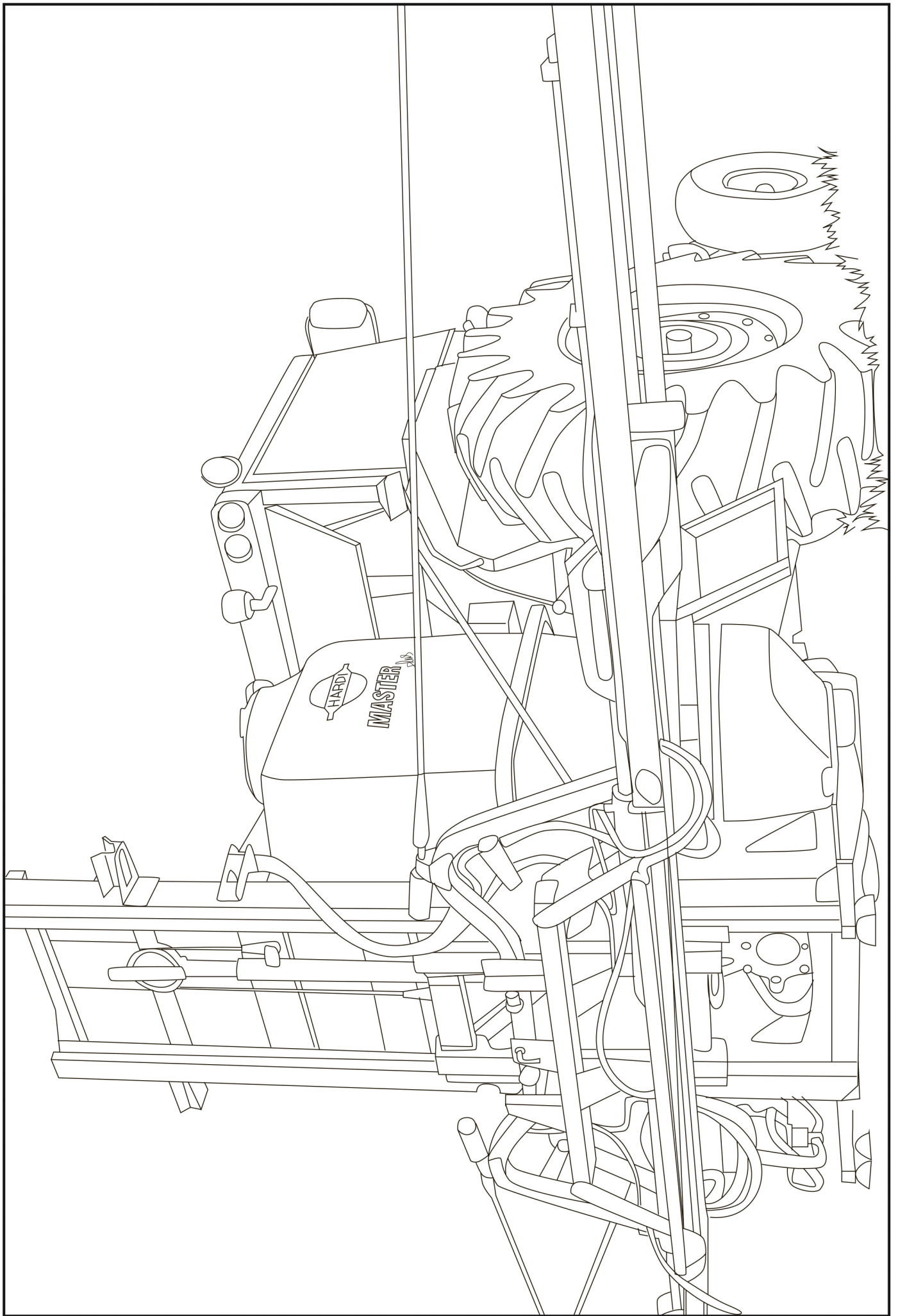




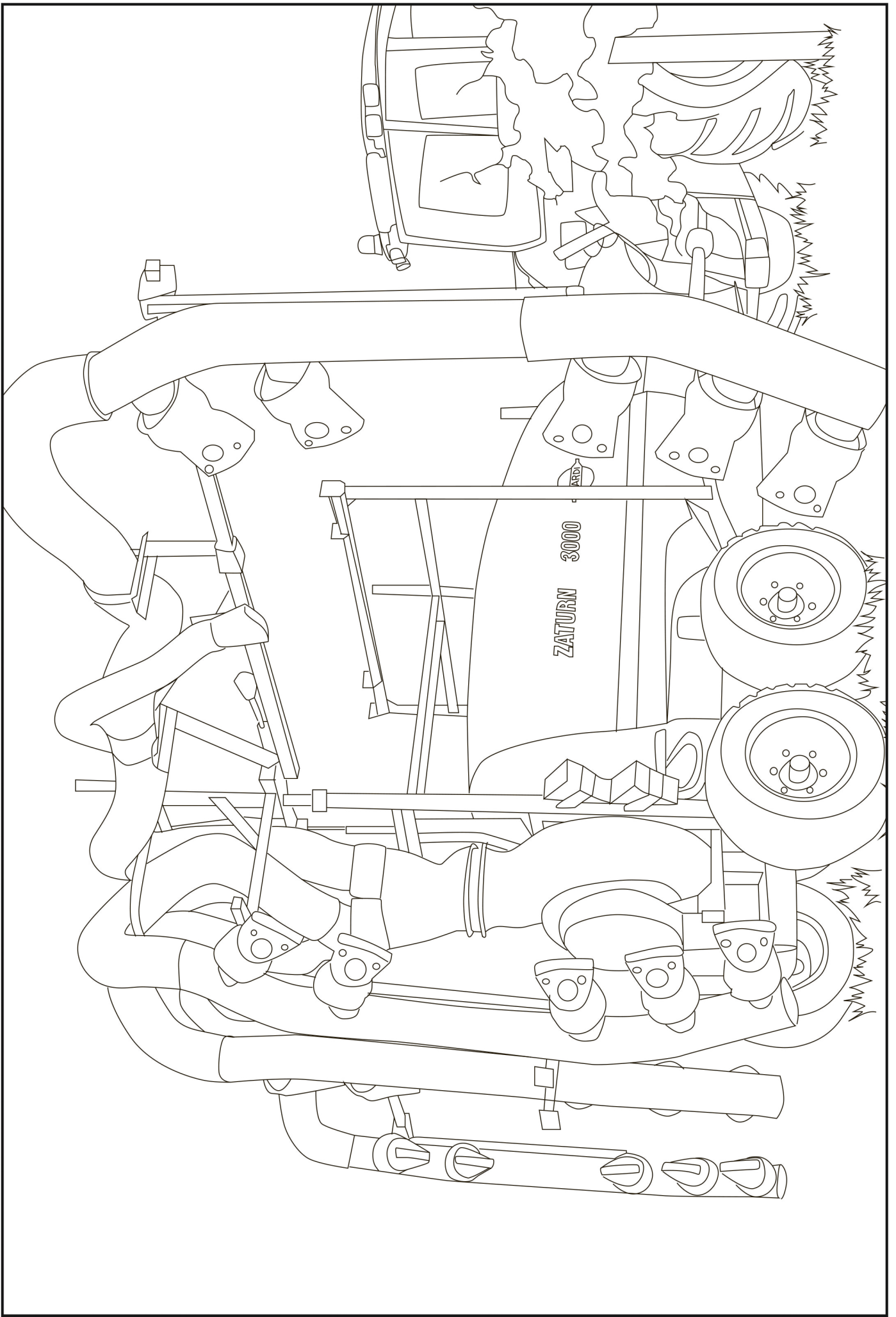




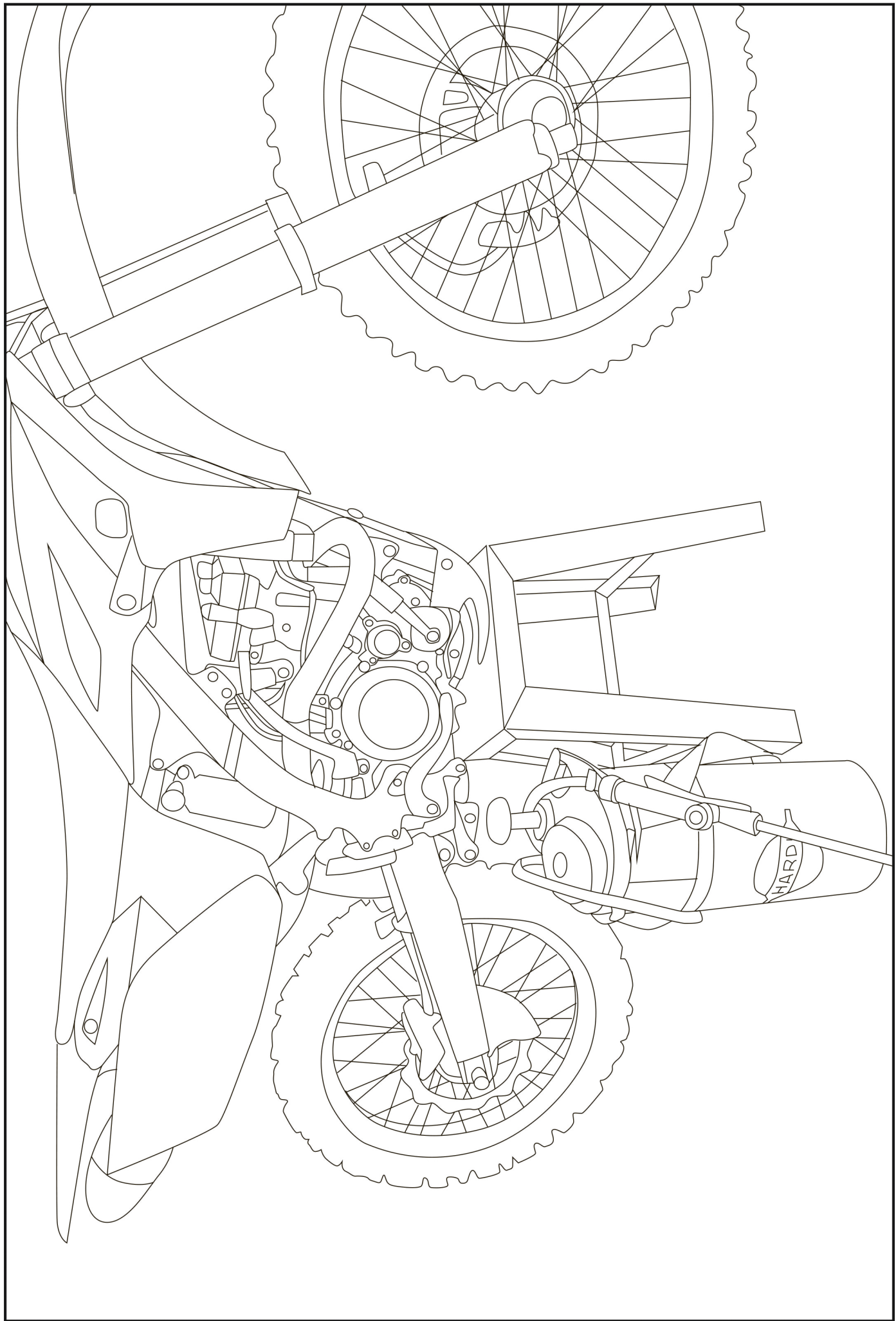












# GLOBAL

made local

**HARDI Australia is proud to be part of the local agricultural and economic landscape.**

The majority of HARDI sprayers and booms sold in Australia and New Zealand are manufactured here.

We employ over 100 people at our Adelaide facilities, where we combine local knowledge and skill with enviable access to the world's latest spray technologies.

**HARDI is constantly working to make spraying more accurate and efficient - for the benefit of farmers and the environment.**

Our Australian Product Development Centre works closely with five HARDI Development Centres around the world, to streamline the delivery of innovations to our customers.

In short, we are global and local... Not just the best of the world, but the best of both worlds.

#HARDIworkshere



## HARDI Australia Pty Ltd

534 – 538 Cross Keys Road  
CAVAN, SA 5094

p +61 8 8343 9999

e info@hardi-aus.com

[www.HARDI.com.au](http://www.HARDI.com.au)  
[www.HARDI.co.nz](http://www.HARDI.co.nz)

